

SPONSLER, INC.

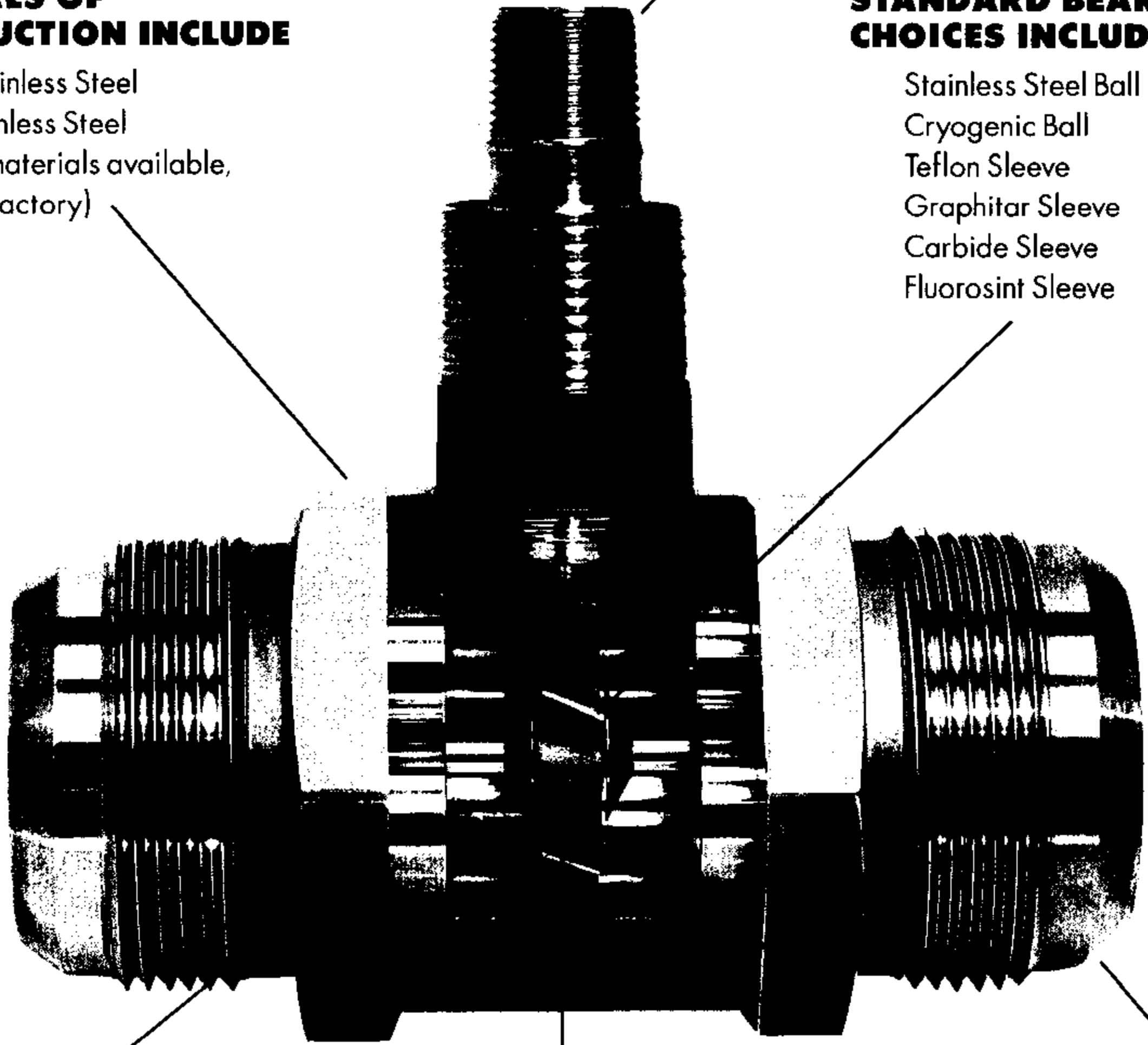
Pickup coil temperature from -450°F
to +450°F (optional to 1000°F)

MATERIALS OF CONSTRUCTION INCLUDE

304 Stainless Steel
316 Stainless Steel
(Other materials available,
consult factory)

STANDARD BEARING CHOICES INCLUDE

Stainless Steel Ball
Cryogenic Ball
Teflon Sleeve
Graphitar Sleeve
Carbide Sleeve
Fluorosint Sleeve



**STANDARD FLOW
STRAIGHTENER
UPSTREAM AND
DOWNSTREAM FOR
ACCURACY**

**LIGHTWEIGHT
HYDRAULICALLY
BALANCED
ROTOR.**

Materials Include:

304 Nickel Liquid
17-4 PH-SS

END FITTINGS INCLUDE:

Male NPT
37° Flare
Flanged
High Pressure
Tube Fitting

Features

- High pressure applications
- Custom and standard designs
- Wide choice of bearings including carbide for compatibility
- Interfaces with manual, semiautomated or completely automated systems
- Material compatible with application
- Custom design and system engineering service
- Manufactured in the USA