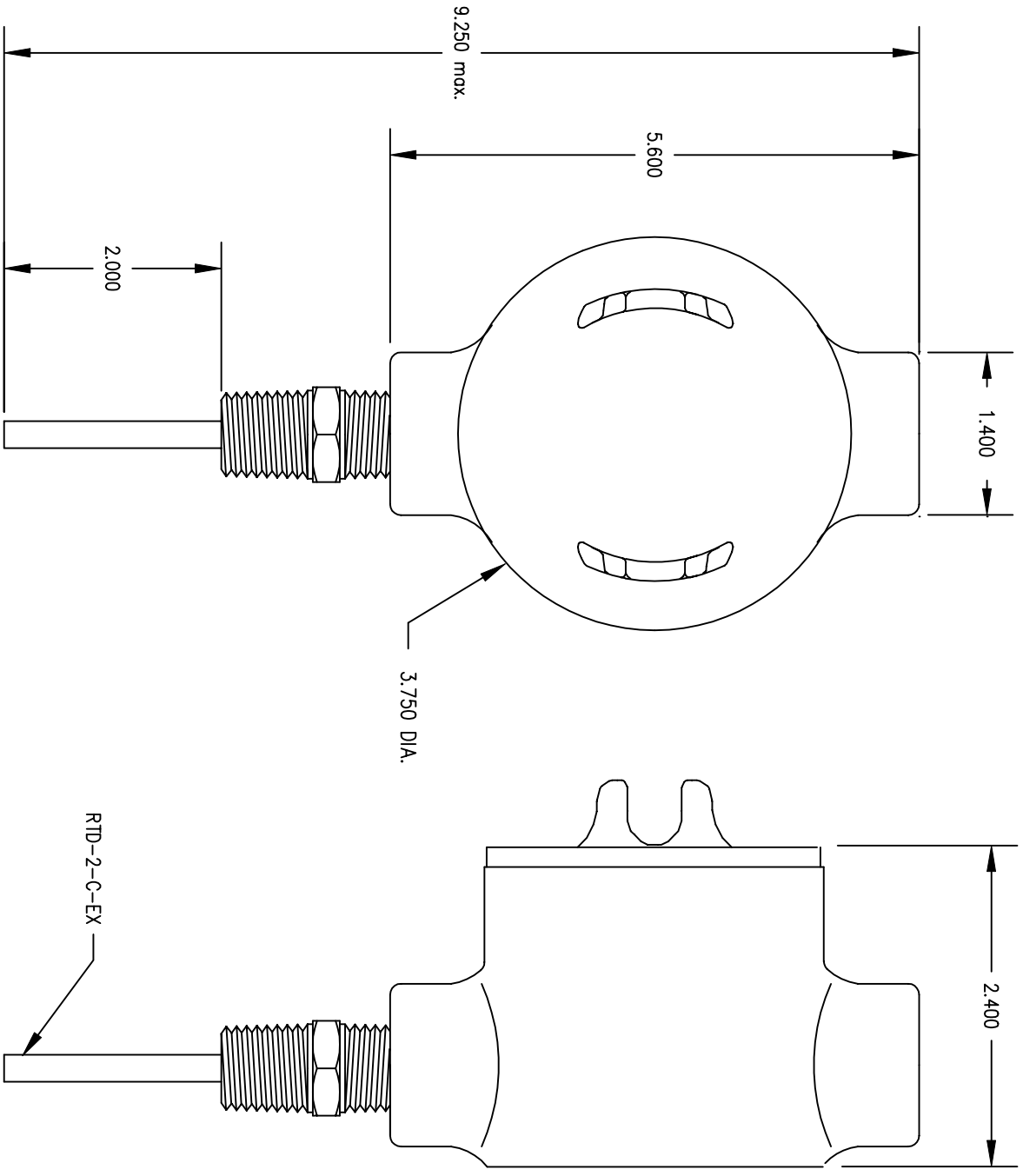


DATE	REV	REVISION RECORD	AUTH	DR	CK
1/02	1	ADDED SPECIFICATIONS	MRS	TN	SMR



SPECIFICATIONS:

PROBE-

- PLATINUM 385, 100 OHM, 4-WIRE RTD
- 316 S.S. CONSTRUCTION
- TEMP RANGE: -452 TO 500°F
- TIME CONSTANT: 2 SECONDS TYPICAL
- PRESSURE RATING: 1500psi
- INSULATION RESISTANCE: 1000 MEGOHMS MIN. @ 500 VDC, LEAD TO CASE.
- VIBRATION: WITHSTANDS 10 TO 2000 HZ @ 20 G'S/MIN PER MIL-STD-202 METHOD 204, TEST CONDITION D
- SHOCK: WITHSTANDS 100 G'S MIN. SINWAVE SHOCK OF 8 MILLISECONDS DURATION

ENCLOSURE-

- EXPLOSION PROOF: NEMA 4, CSA APPROVED FOR HAZARDOUS AREAS DEFINED BY THE NEC AS CLASS I GROUPS B, C, & D. CLASS II, GROUPS E, F, & G.

SPONSOR INC
A UNIT OF INDEX CORPORATION

DESCRIPTION		DRAWN BY	
EXPLOSION PROOF TEMP. PROBE		TDN	
DATE		DATE	
2-26-99		2-26-99	
MATERIAL		SCALE	
N/A		NONE	
CODE		REV. #	
RTD-2-C-EX		1	
DATE		DATE	
2-26-99		2-26-99	

RTD-2-C-EX