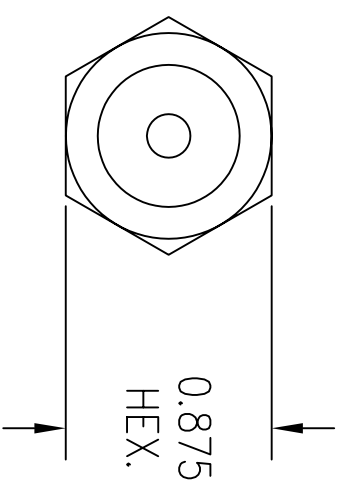
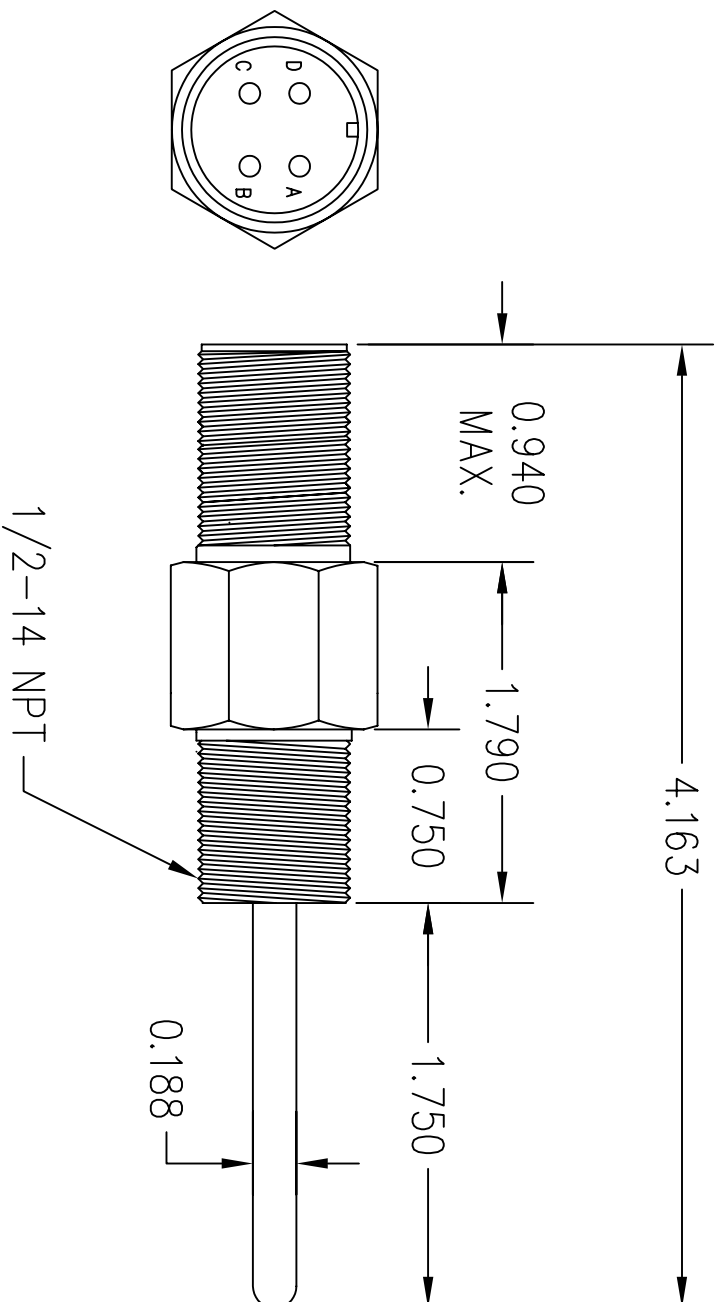


DATE	REV	ECN #	AUTH	DR	CK
3-15-04	A	00003	KEN	JPM	PWW



ALL DIMENSIONS ARE IN INCHES

SPONSER, INC.

A UNIT OF IDEX CORPORATION

FILE NAME: \Electronics\RTD-2-C-2-TF.dwg

DESCRIPTION: TEMPERATURE PROBE

DRAWN BY: JPM

DATE: 4-3-02

REVIEWED BY:

DATE:

DRAWING NUMBER: RTD-2-C-2-TF

APPR. BY: KEN
DATE: 3-15-04